



## ACOUSTIC SCREENS

# Arc

## Acoustic desk screens

We apply the same design thinking to every product, so as well as helping you achieve a good internal acoustic environment, our desk screens enhance privacy and focus, creating a space within a space and have an immediate visual impact. We've taken the traditional rectangular desk-screen and injected some AllSfär design magic!

### FEATURES

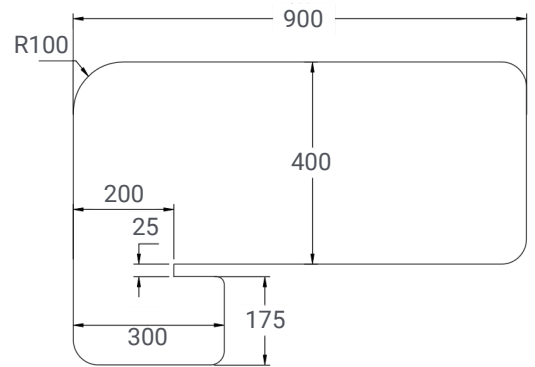
- ▶ 24mm PET felt
- ▶ Designed and manufactured in the UK
- ▶ Made using GRS-certified fibres containing 99% recycled content
- ▶ Manufacturer's 5 year guarantee
- ▶ No formaldehyde binders
- ▶ Low VOCs
- ▶ Available in a wide range of colours, sizes and designs
- ▶ Personalisation and bespoke options available
- ▶ Easily fits to all desk sizes and shapes
- ▶ Pinnable surface
- ▶ Can be fabric-wrapped to match existing soft-furnishings
- ▶ Pass BS 5852: 2006 Clause12, Ignition Source 5 (Crib 5)



## Acoustic desk side divider screens (Slotted push-on)\*

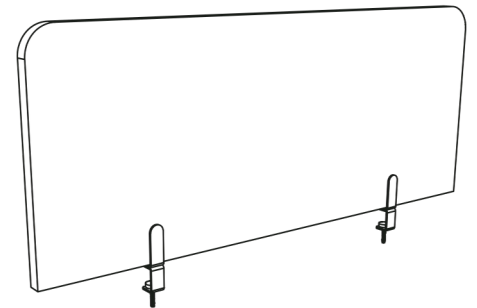
CODE	DESCRIPTION	DIMENSIONS (mm)
ARCPO800600	Desk side-divider screen to suit 600D top	800W x 600H x 24
ARCPO900600	Desk side-divider screen to suit 700D top	900W x 600H x 24
ARCPO1000600	Desk side-divider screen to suit 800D top	1000W x 600H x 24

\* Please include colour in order description.



## Rectangle\*

CODE	DIMENSIONS (mm)	ORDER QTY MULTIPLE
ARCRC1200400	1200W x 400H x 24	6
ARCRC1400400	1400W x 400H x 24	3
ARCRC1600400	1600W x 400H x 24	3
ARCRC1800400	1800W x 400H x 24	3
ARC-BESPOKE	Design to be specified by client	



\* Please include colour in order description.

Each screen comes with 2 No desk edge clamp support brackets or undermount T brackets, please specify at time of ordering. Standard heights are 400mm above desktop - Other sizes and heights available on request.

Bespoke options available include Öra Plain, Fabric wrapped, Öra V, (Dual), Öra 3D, Öra Print, Cut out pattern and Logo options.

## Arc desk screens\*

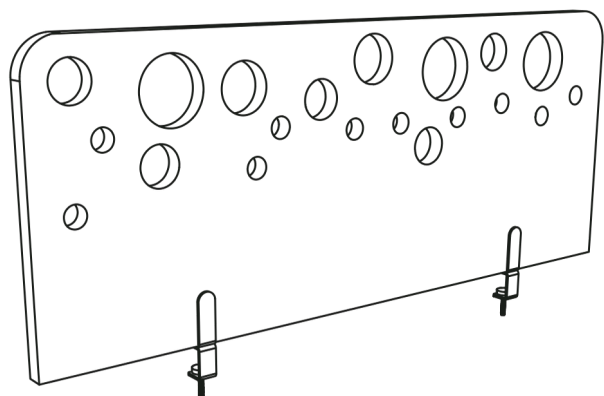
CODE	DIMENSIONS (mm)	ORDER QTY MULTIPLES
ARCR600400	600W x 400H x24	12
ARCR800400	800W x 400H x24	9
ARCR1000400	1000W x 400H x24	7
ARCR1200400	1200W x 400H x24	6
ARCR1400400	1400W x 400H x24	3
ARCR1600400	1600W x 400H x24	3
ARCR1800400	1800W x 400H x24	3
ARCR2000400	2000W x 400H x24	3
ARCR2200400	2200W x 400H x24	3
ARCR2400400	2400W x 400H x24	3



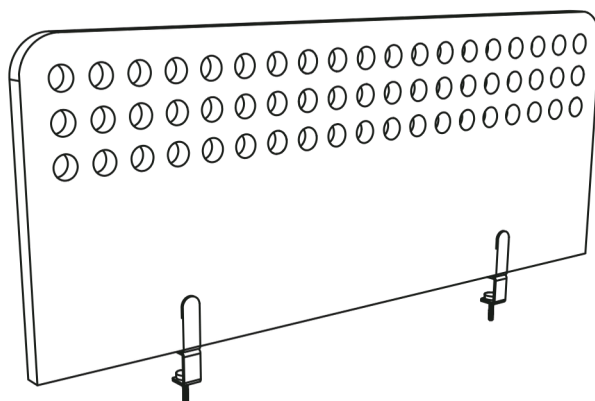
\* Please include colour and design name in order description.

## Cut out designs

### Bubbles

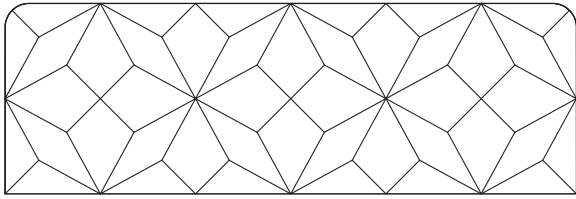


### Holes

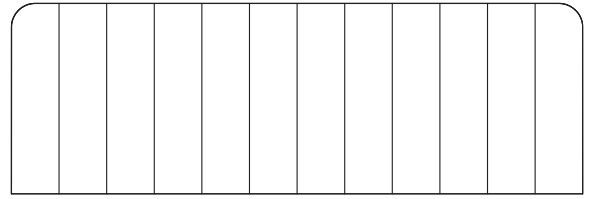


# V cut pattern designs

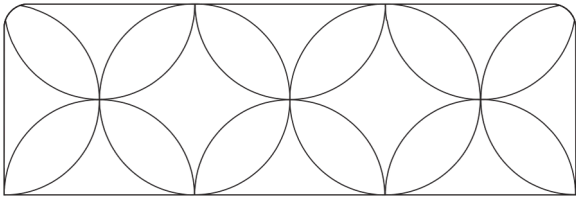
## Jigsaw



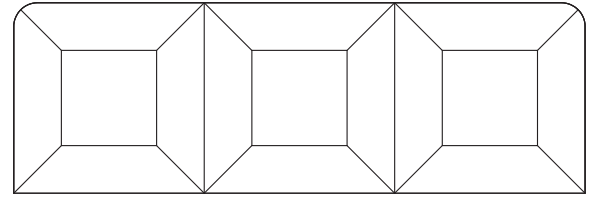
## Linear



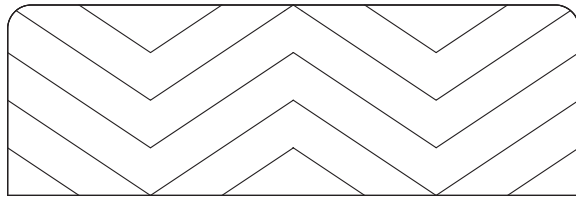
## Orient



## Truss



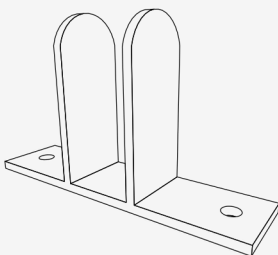
## ZigZag



Why not create a seamless design to your spaces by combining Arc desk screens with matching Lull suspended screens with the same design.

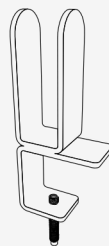
Bespoke options available include Öra Plain, Fabric wrapped, Öra V, (Dual), Öra 3D, Öra Print, Cut out pattern and Logo options.

### ARC DESK SCREEN BACK TO BACK BENCH DESK SCREEN BRACKET



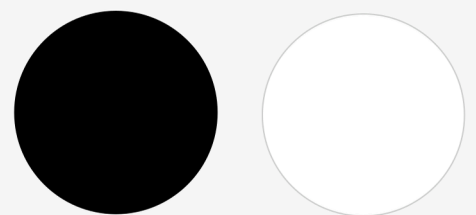
CODE - ARCB-BK / ARCB-WH

### ARC DESK SCREEN DESK CLAMP BRACKET



CODE - ARCC-BK / ARCC-WH

### DESK BRACKETS ARE AVAILABLE IN WHITE OR BLACK



Each screen comes with two clamps.

# Arc desktop screen set

Thesedesktopscreensetsareanideal way to create an individual quiet working area in any space.



## FEATURES

- ▶ Slots together in seconds, no tools or fixings required
- ▶ No damage to desk
- ▶ Customisation and bespoke sizes available
- ▶ Available in 40+ nature inspired colours
- ▶ Pinnable surface
- ▶ Made using GRS-certified fibres containing 99% recycled content
- ▶ Available in 12mm and 24mm thick felt
- ▶ Optional cut out at the back for cables
- ▶ Pass BS 5852:2006 Clause12, Ignition Source 5 (Crib 5)

## ÖRA COLOURS\*



## REJUVENATE PALETTE



## REFINE PALETTE



## REFRESH PALETTE



\* Please include felt colour when ordering.

## Arc desktop small screen set

CODE	DESCRIPTION	DIMENSIONS (mm)	ORDER QTY MULTIPLE
ARCDSS1000600-12	3 piece desktop screen	1000W x 600D x 500H x 12	2
ARCDSS1000600-24	3 piece desktop screen	1000W x 600D x 500H x 24	2

Fits on any desktop. One set includes two side screens and one rear screen that interlock. Supplied flat pack. No brackets.  
Alternative bespoke sizes or shapes available on request.

## Arc desktop perimeter surround with front overhang

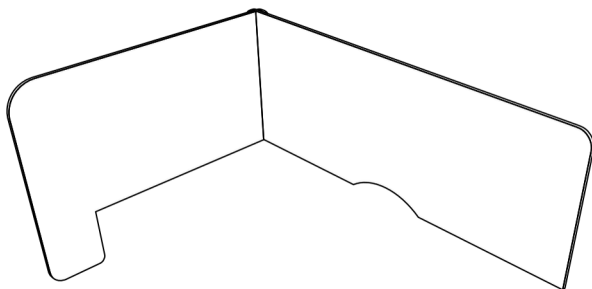
CODE	DESCRIPTION	DIMENSIONS (mm)	ORDER QTY MULTIPLE
ARCDSS12001000	3 piece desktop surround screen set 12mm	1200W x 1000D x 700H x 12	1
ARCDSS14001000	3 piece desktop surround screen set 12mm	1400W x 1000D x 700H x 12	1
ARCDSS16001000	3 piece desktop surround screen set 12mm	1600W x 1000D x 700H x 12	1

Fits on 800mm deep desktop. 500mmH above desktop.  
Alternative bespoke sizes or shapes available on request.  
Self supporting sets - No clamps needed.

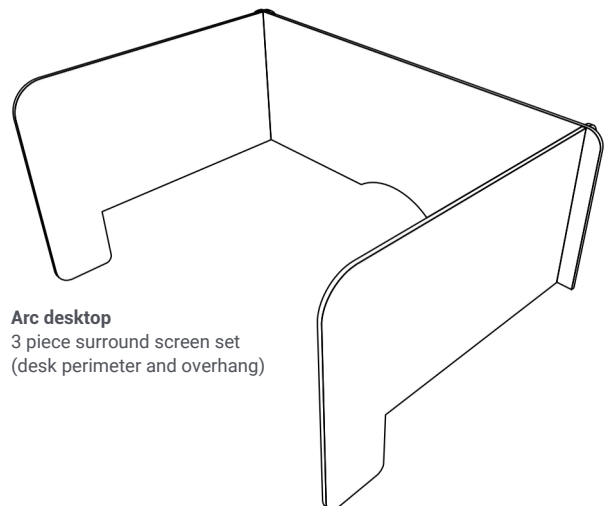
## Arc desktop large surround set - continuation add on modules

CODE	DESCRIPTION	DIMENSIONS (mm)	ORDER QTY MULTIPLE
ARCDSSA12001000	2 piece desktop surround screen set 12mm	1200W x 1000D x 700H x 12	2
ARCDSSA14001000	2 piece desktop surround screen set 12mm	1400W x 1000D x 700H x 12	2
ARCDSSA16001000	2 piece desktop surround screen set 12mm	1600W x 1000D x 700H x 12	1

Alternative bespoke sizes or shapes available on request.  
Self supporting sets - No clamps needed.



**Arc desktop**  
2 piece surround screen set  
(front overhang)



**Arc desktop**  
3 piece surround screen set  
(desk perimeter and overhang)

## Care Instructions

Our products are extremely durable and require little attention to maintain their good looks. Light dusting on a regular basis will prevent dust build up and most marks can be cleaned with a mild detergent solution followed by rinsing and blotting. Stains should be dealt with according to the chart below.

Before carrying out a proposed cleaning method, apply to a concealed section to ensure it will not affect the product or adhesive. Avoid cleaning methods that create severe abrasion. NB: Solvent and mineral based cleaners should be used sparingly to avoid possible degradation of the adhesive adhering the product to the substrate.

### Professional Cleaning Methods

Stain	Treatment Guide
Blood	A, C
Burn/Scorch Mark	K
Chewing Gum	I, B, D, C
Chocolate	B, D, C
Cooking Oils	B, D, C
Crayon/Colour Markers	B, D, C
Drinks	A, C
Dust/Dirt	Vacuum, then J or C
Excrement	B, C
Grass	C
Grease	B, D, C
Ink (ballpoint)	D, E
Ink (fountain)	A, C
Lipstick	B, E, C, D
Mildew	C
Milk	A, E
Mud	B, C
Nail Polish	A, G
Oil	B, D, C
Paint (water based)	A, F, C
Paint (oil based)	A, H, D, C
Sauces	B, C, D
Shoe Polish	B, C, D
Urine	A, C
Vomit	A, C, D
Wine	A, Add Salt, C

### Key

- A** Mop up excess as soon as possible with a sponge or cloth.
- B** Remove surplus with a knife edge or appropriate instrument.
- C** Sponge with a solution of carpet shampoo working from well outside the stain in a circular motion towards the centre (this avoids spreading the stain). Sponge afterwards with clean warm water and mop excess moisture with a clean dry cloth or sponge. Allow to dry then brush gently with a soft brush. If any stain remains, sponge with a solution of one part household bleach to six parts clear water. Thoroughly rinse after treatment.
- D** Lightly sponge with household dry cleaning fluid ~~and blot~~. Apply sparingly, as the substance may have an adverse effect on the adhesive.
- E** Sponge with methylated spirits and blot dry.
- F** Lubricate the stain with glycerine or petroleum jelly.
- G** Apply nail polish remover. The nail polish remover should not include lanolin or be of a greasy nature.
- H** Sponge with turpentine (or substitute).
- I** Freeze with ice cubes and scrape away while cold.
- J** Clean with regular extractive carpet cleaner (if possible).
- K** Use circular cutter and remove damaged portion. Re-glue new piece into place.

Please contact us for a detailed installation guide.

Showroom: 14 Baltic Street East, London, ECIY 0UJ

Head Office and Factory: Aspect Gate, 1 Olds Approach, Watford, WD18 9RF

www.allsfar.com • +44 (0)20 3889 9888 • hello@allsfar.com

