

---

# BuzziHood

## Product Specification Sheet

---

This document contains technical information about the BuzziHood

---




[www.buzzi.space](http://www.buzzi.space)

## Wall mounted acoustic telephone booth

The BuzziHood works just like the BuzziBooth, providing an acoustic cocoon you can hang on the wall. When you're in the Hood' you can answer the phone in peace in noisy surroundings without ever having to ask anyone to repeat themselves. It can be installed anywhere and will cheer up any Space!

Design by Alian Gilles

## General

 BuzziHood  
Flat | 3D

Structure: poplar plywood



Cover: CME35H foam + layer felt 3 mm | 0.12" covered with fabric

Fabrics: Fabric, Rough, Terra, Tartan (not suitable for 3D Rib), Trevira CS+ | CS, Revive 1, Revive 2, Clara 2, Remix 2, Hero, Tonus 4, Tonus Meadow, Memory 2 or Matrix



L 71 cm    W 89,5 cm    H 107 cm  
L 27.95 "    W 35.24"    H 42.13"



± 40 kg  
± 88.18 lbs

---

## Acoustics



Absorption



Attenuation

---

## Content

|                |    |
|----------------|----|
| Configurations | 3  |
| Patterns       | 4  |
| Option tablet  | 4  |
| Fabrics        | 5  |
| Fixing system  | 9  |
| Dimensions     | 10 |

# Configurations

---

## BuzziHood

🔪 Flat | 3D

Core: poplar plywood

Cover: CME35H foam + layer felt 0,3 cm | 0.12"

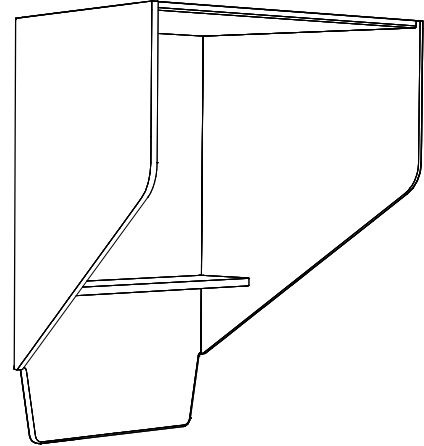
Covered with fabric

🌲 Fabrics: Fabric, Rough, Terra, Tartan (not suitable for 3D Rib),  
Trevira CS+ | CS, Revive 1, Revive 2,  
Clara 2, Remix 2, Hero, Tonus 4, Tonus Meadow, Memory 2 or  
Matrix

✂ L 71 cm    W 89,5 cm    H 107 cm  
L 27.95 "    W 35.24"    H 42.13"

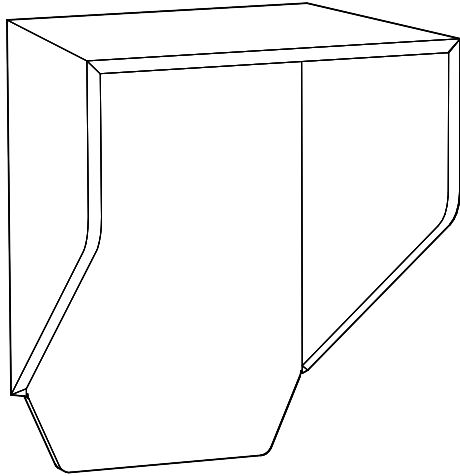
⚖ ± 40 kg  
± 88.18 lbs

⋯ Bicolor  
Tablet in Oak or Metal

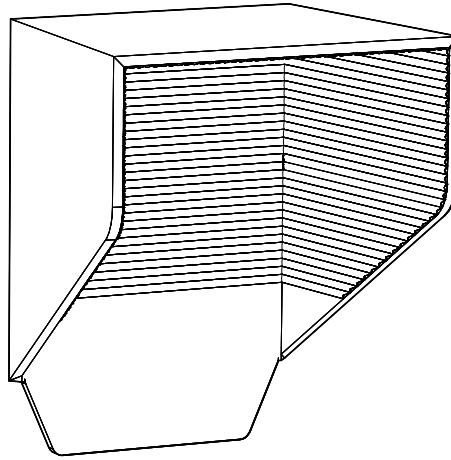


# Patterns

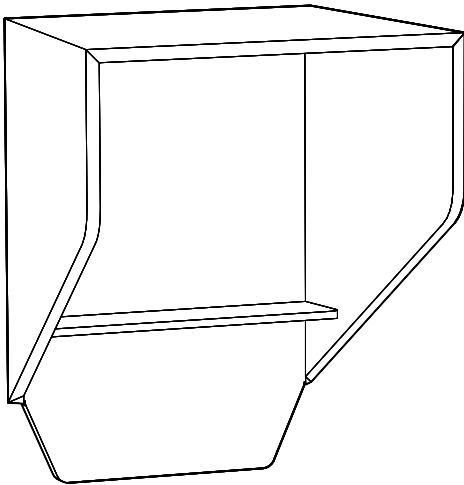
Flat



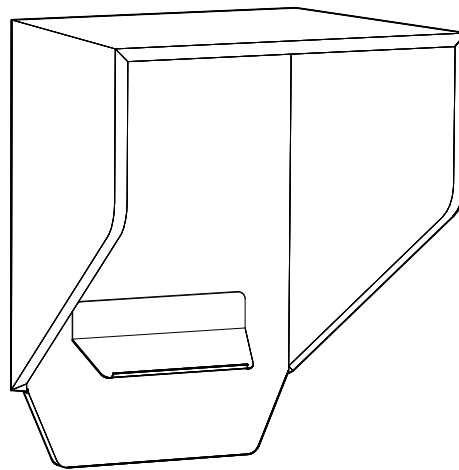
3D



## Option Tablet



Tablet horizontal in wood

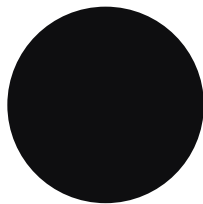


Tablet Inclined in powder coated metal

### Finishes Tablet



Oak  
(Tablet wood)



Black (RAL 9005)  
(Tablet metal)

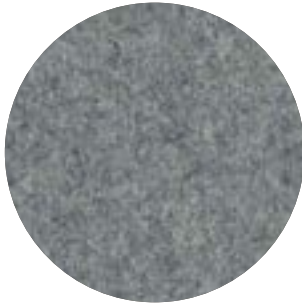


White (RAL 9010)  
(Tablet metal)

# Fabrics

---

## Fabric



**Category A**

**Composition** 70% Recycled Wool, 25% Recycled Polyacryl,  
5% Recycled Other Fabrics

**Weight** 405 g/m<sup>2</sup> | 11.94 oz/yd<sup>2</sup>

**Abrasion resistance** 40.000 Martindale, 50,000 Wyzenbeek

**Flammability** EU: EN 1021.1/2006 | BS EN 1021.1/2006 (cigarette),  
EN 1021.2/2006 | BS EN 1021.2/2006 (match)  
USA: CAL TB 117 | ASTM E84 CLASS A

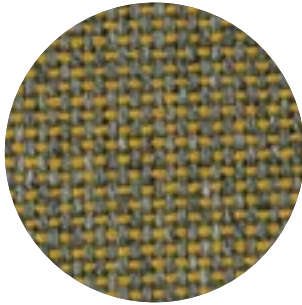
**Fastness to light** EU: 4 | USA 4

**Fastness to rubbing** EU: Wet 3-4 | Dry 4-5

**Fastness to crocking** USA: Wet 5 | Dry 5



## Rough



**Category A**

**Composition** 100% Polyacryl

**Weight** 456 g/m<sup>2</sup> | 13.45 oz/yd<sup>2</sup>

**Abrasion resistance** 40.000 Martindale

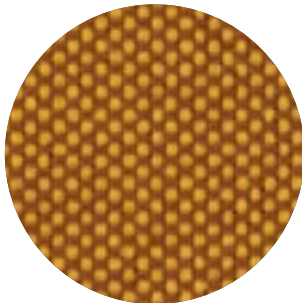
**Flammability** EU: EN 1021.1/2006 | BS EN 1021.1/2006 (cigarette)  
USA: CAL TB TB 117

**Fastness to light** EU: 5

**Fastness to rubbing** EU: Wet: 3 | Dry: 3



## Trevira CS+ | CS



**Category A**

**Weight** 420 g/m<sup>2</sup> | 12.39 oz/yd<sup>2</sup>

**Composition** 100% Polyester, Trevira CS

**Abrasion resistance** 100.000 Martindale, 90,000 Wyzenbeek

**Flammability** BS 5852 part II: CRIB 5 | BS 7176 Medium Hazard  
USA: CAL TB 117 | M1 | B1 | EN 1021/1-2 | C1 |  
IMO Res. A652 (16)

**Fastness to light** EU: 6 | USA 5

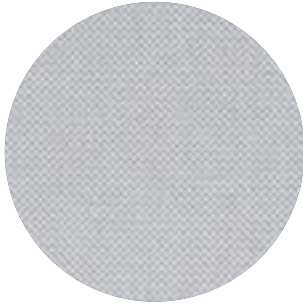
**Fastness to rubbing** EU: Wet 4-5 | Dry 4-5

**Fastness to crocking** USA: Wet 5 | Dry 5



## Revive 1

kvadrat



**Category A**

**Composition** 100% recycled polyester FR

**Weight** 430 g/lin.m

**Abrasion resistance** 60.000 Martindale rubs, EN ISO 12947

**Flammability** EN 1021-1/2 | DIN 4102 B1 | Önorm B1/Q1  
UNI 9175 1IM | US Cal. Tech. Bull. 117  
IMO A.652 (16)

**Fastness to light** Note 5-7, ISO 105-B02

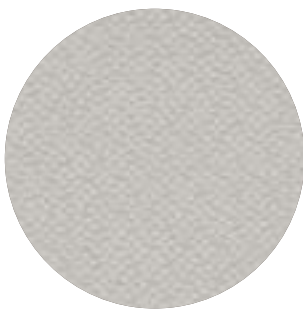
**Fastness to rubbing** (ISO) dry 5, wet 4-5

**Pilling** Note 4-5, EN ISO 12945



## Revive 2

kvadrat



**Category A**

**Composition** 100% recycled polyester FR

**Weight** 420 g/lin.m

**Abrasion resistance** 45.000 Martindale rubs, EN ISO 12947

**Flammability** EN 1021-1/2 | DIN 4102 B1 | Önorm B1/Q1  
UNI 9175 1IM | US Cal. Tech. Bull. 117  
IMO A.652 (16)

**Fastness to light** Note 5-7, ISO 105-B02

**Fastness to rubbing** (ISO) dry 5, wet 4-5

**Pilling** Note 4-5, EN ISO 12945



## Terra



**Category B**

**Composition** 100% Pure New Wool

**Weight** 370 g/m<sup>2</sup> | 10.91 oz/yd<sup>2</sup>

**Abrasion resistance** 40.000 Martindale, 25,000 Wyzenbeek

**Flammability** EU: BS5852 CRIB 5 | BS5867 PART 2 : 2008 : TYPE B  
EN: 1021.2/2006 | USA: CAL TB 117

**Fastness to light** EU 5 | USA 5

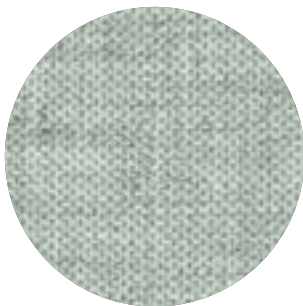
**Fastness to rubbing** EU: Wet 4 | Dry 4

**Fastness to crocking** USA: Wet 4 | Dry 4



## Clara 2

kvadrat



**Category B**

**Composition** 92% new wool, 8% nylon

**Weight** 400 g/lin.m

**Abrasion resistance** 80.000 Martindale rubs, EN ISO 12947

**Flammability** EN 1021-1/2 | BS 5852, ignition source 2-3 | DIN 4102 B2  
NF D 60 013 | UNI 9175 1IM | US Cal. Tech. Bull. 117, Sec. E  
NFPA 260 | IMO A.652(16)

**Fastness to light** Note 5-7, ISO 105-B02

**Fastness to rubbing** (ISO) dry 4-5, wet 4

**Pilling** Note 4, EN ISO 12945



## Remix 2

kvadrat



**Category B**

**Composition** 90% new wool, 10% nylon

**Weight** 415 g/lin.m

**Abrasion resistance** 100.000 Martindale rubs, EN ISO 12947

**Flammability** EN 1021-1/2 | BS 5852 part 1

Önorm B1/Q1 | NF D 60 013 | UNI 9175, 1IM

AS/NZS 1530.3 | Cal. Tech. Bull. 117-2013

NFPA 260 | IMO FTP Code 2010:Part 8

**Fastness to light** Note 5-7, ISO 105-B02

**Fastness to rubbing** (ISO) dry 4-5, wet 4

**Pilling** Note 4, EN ISO 12945



## Tartan (Not for 3D rib)



**Category C**

**Composition** 100% Pure New Wool

**Weight** 475 g/m<sup>2</sup>

**Abrasion resistance** 30.000 Martindale

**Flammability** EU: BS5852 CRIB 5 | BS5867 PART 2 : 2008 : TYPE B

EN 1021.2/2006 | USA: CAL TB 117

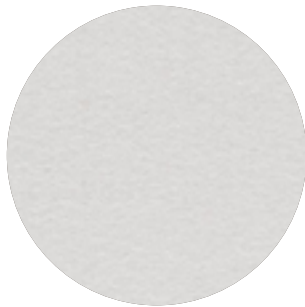
**Fastness to light** EU: 5 | USA: 5

**Fastness to rubbing** EU: Wet: 4 | Dry: 4



## Hero

kvadrat



**Category C**

**Composition** 96% new wool, 4% nylon

**Weight** 580 g/lin.m

**Abrasion resistance** 45.000 Martindale rubs, EN ISO 12947

**Flammability** EN 1021-1/2 | DIN 4102 B2 | NF D 60 013

UNI 9175 1IM | US Cal. Bull. 117-2013 | NFPA 260

IMO A.652 (16)

**Fastness to light** Note 5-6, ISO 105-B02

**Fastness to rubbing** (ISO) dry 4-5, wet 4-5

**Pilling** Note 3-4, EN ISO 12945



## Tonus 4

kvadrat



**Category D**

**Composition** 90% new wool, 10% Helanca

**Weight** 665 g/lin.m

**Abrasion resistance** 100.000 Martindale rubs, EN ISO 12947

**Flammability** EN 1021-1/2 | BS 5852 part 1 | DIN 4102 B2

Önorm B1/Q1 | NF D 60 013 | UNI 9175 1IM

US Cal. Bull. 117-2013 | NFPA 260 | IMO A.652 (16)

**Fastness to light** Note 5-7, ISO 105-B02

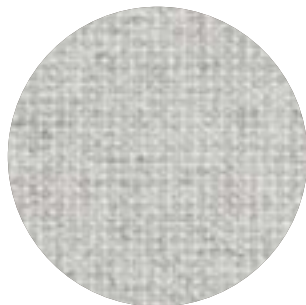
**Fastness to rubbing** (ISO) dry 3-5, wet 3-5

**Pilling** Note 3, EN ISO 12945



## Tonus Meadow

kvadrat



**Category** D

**Composition** 90% new wool, 10% Helanca

**Weight** 665 g/lin.m

**Abrasion resistance** 100.000 Martindale rubs, EN ISO 12947

**Flammability** EN 1021-1/2 | BS 5852 part 1 | DIN 4102 B2

Önorm B1/Q1 | NF D 60 013 | UNI 9175 11M

US Cal. Bull. 117-2013 | NFPA 260 | IMO A.652 (16)

**Fastness to light** Note 5-7, ISO 105-B02

**Fastness to rubbing** (ISO) dry 4-5, wet 4

**Pilling** Note 3, EN ISO 12945



## Memory 2

kvadrat



**Category** E

**Composition** 100% Trevira CS

**Weight** 700 g/lin.m

**Abrasion resistance**

35.000 rubs acc. to the Martindale method, EN ISO 12947

**Flammability** EN 1021-1/2 | DIN 4102 B1 | Önorm B1/Q1

NF D 60 013 | NF P 92 507 M1 | UNI 9175 11M

UNI 9177 classe 1 | US Cal. Tech. Bull. 117

IMO A.652 (16)

**Fastness to light** Note 5-8, ISO 105-B02

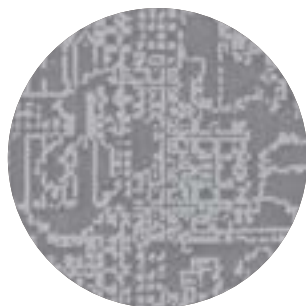
**Fastness to rubbing** (ISO) dry 4-5, wet 4-5

**Pilling** Note 4, EN ISO 12945



## Matrix

kvadrat



**Category** F

**Composition** 100% Trevira CS

**Weight** 760 g/lin.m

**Abrasion resistance**

App. 60.000 rubs acc. to the Martindale method, EN ISO 12947

**Flammability** EN 1021-1/2 | BS 5852 crib 5 | BS 5867 part 2 type B

DIN 4102 B1 | Önorm B1/Q1 | NF D 60 013

UNI 9175 11M | US Cal. Tech. Bull. 117 | NFPA 701

IMO A.652 (16)

**Fastness to light** Note 5-7, ISO 105-B02

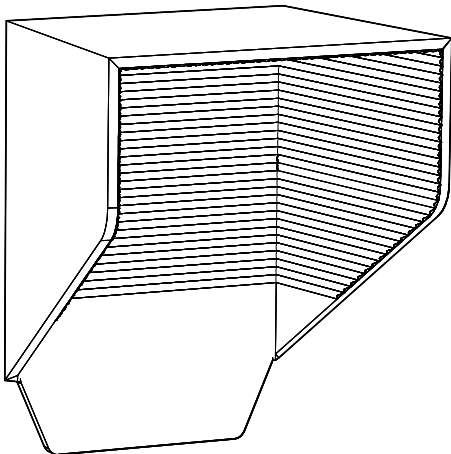
**Fastness to rubbing** (ISO) dry 4-5, wet 4-5

**Pilling** Note 4, EN ISO 12945

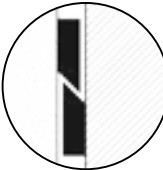
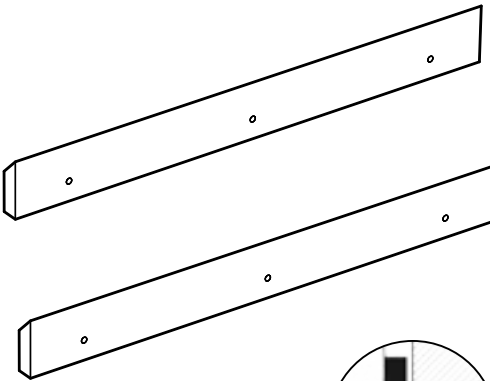




# Fixing System (included)

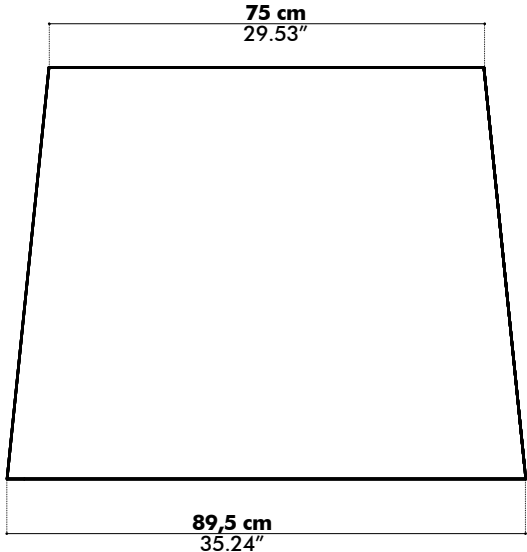
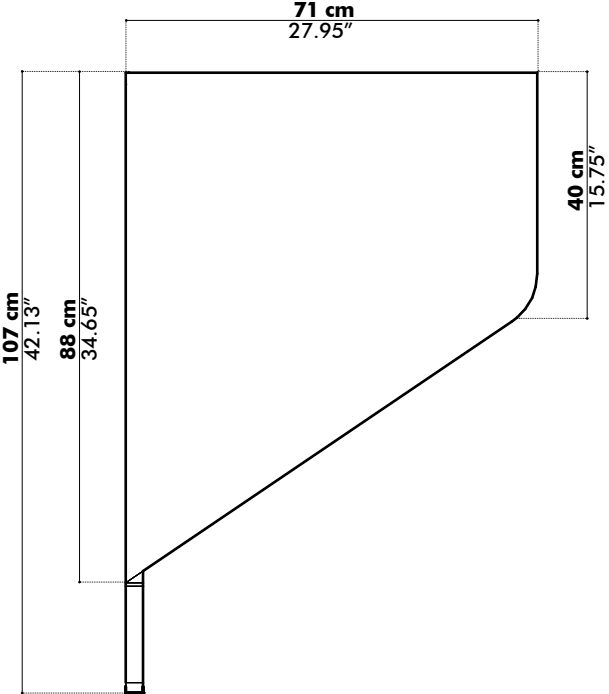
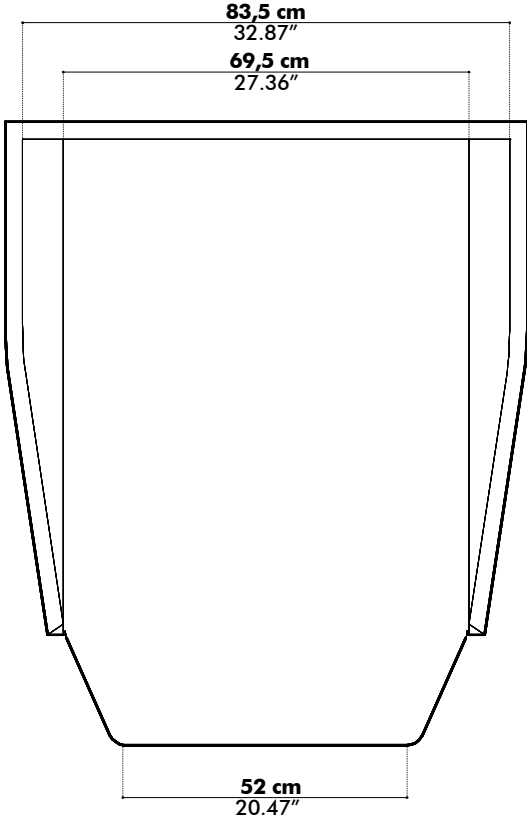


2pcs



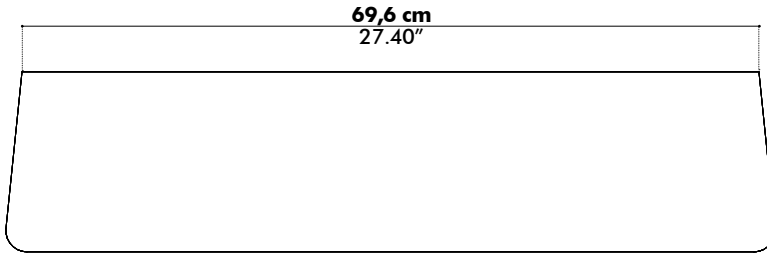
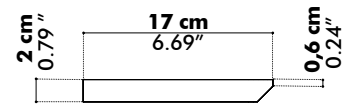
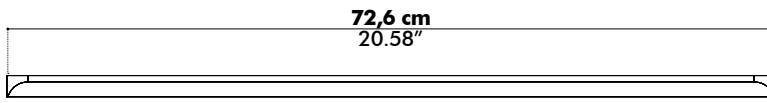
# Dimensions

## BuzziHood



# Tablet

## Wood



## Metal

